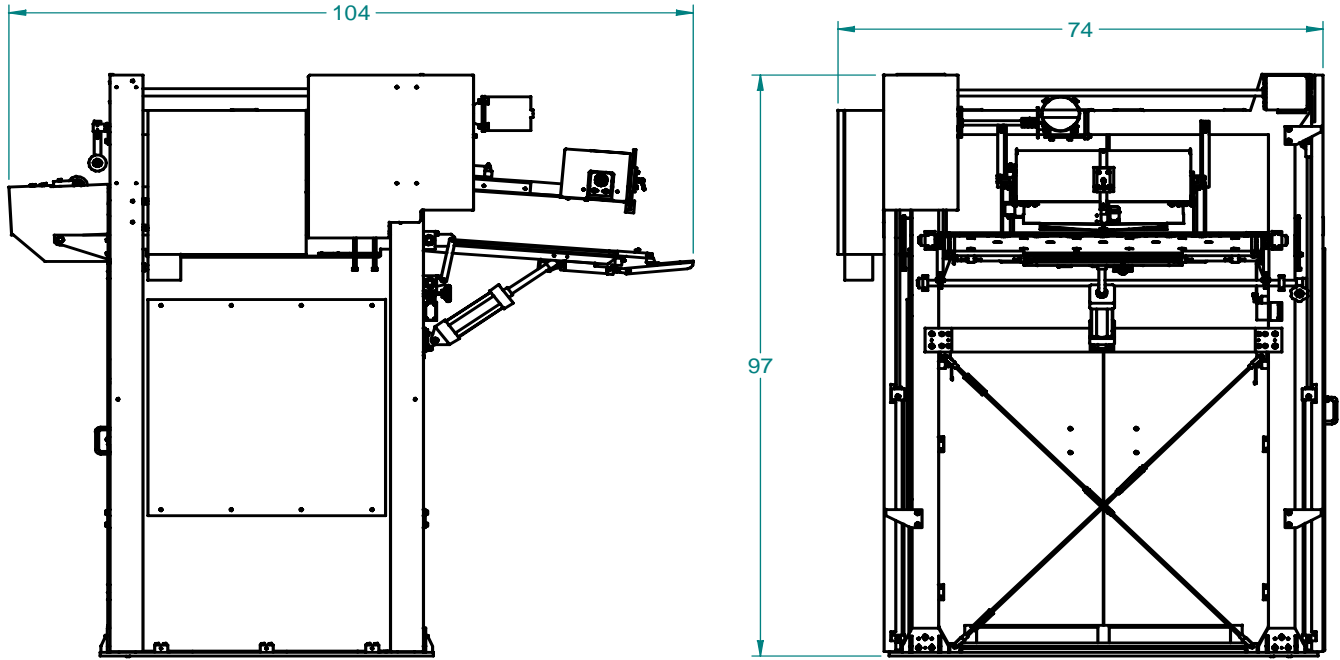




TSS Technologies

8800 Global Way
West Chester, OH 45069
(513) 772-7000

ERGO Lifter



Hydraulic Specifications

Maximum Hydraulic Pressure	1500 PSI
System Operating Pressure	TBD
Maximum Lifting Load @ 1500 PSI	8740 LBS
Maximum Lifting Load @ 1000 PSI	5828 LBS
Maximum Lifting Load @ 500 PSI	2916 LBS

General Specifications

Approximate Weight of Machine	4500 LBS
-------------------------------	----------

Pneumatic Specifications

Compressed Air Requirements @90 PSI	120 SCFM
-------------------------------------	----------

Electrical Specifications

Plant Supplied Power @ 240 VAC 3Phase	15 Amps
---------------------------------------	---------

Ergo Lifter Dimensional Specifications

Maximum Height Clearance for Paper Loading	66 Inches
Maximum Width Clearance for Paper Loading	48 Inches
Maximum Paper Length	58 Inches
Maximum Strip Height of Paper	2.5 Inches
Approximate Overall Machine Height	97 Inches
Approximate Overall Machine Width	74 Inches
Approximate Overall Machine Depth	104 Inches